

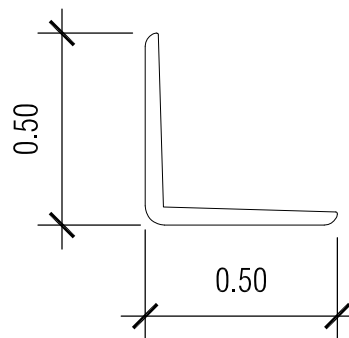
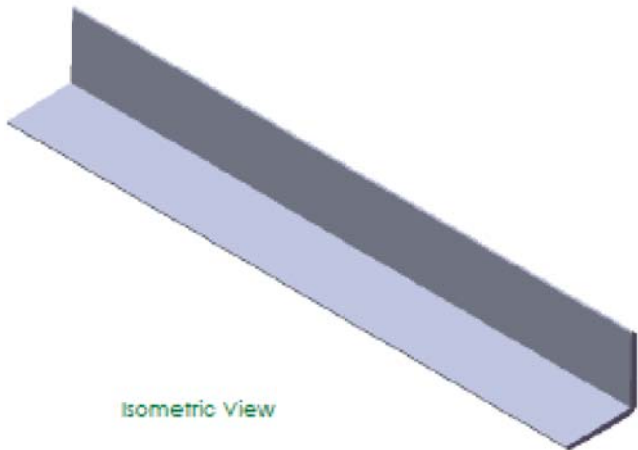
2

1

B

B

Isometric View



**1** SIDE VIEW  
scale: 2:1

A

A

**NOTES:**

- 1.
- 2.
- 3.

**TOLERANCES UNLESS OTHERWISE NOTED:**

METRIC mm TWO PLACE X.XX ± 0.13 ONE PLACE X.X ± 0.3  
 INCH DECIMALS ± 0.005 FRACTIONS ± 0.010 ANGLES ± 1°

**REVISION HISTORY**

REV	ECO No.	DESCRIPTION	DRAWN BY
-	-	-	-
-	-	-	-
-	-	-	-
-	-	-	-



1500 Taylor Avenue  
 Springfield, Illinois 62703  
 (800) 826-4132

TITLE

**VINYL EXTRUSION  
 V-149**

PROPRIETARY - THIS DRAWING CONTAINS INFORMATION PROPRIETARY AND CONFIDENTIAL TO NUDO PRODUCTS.  
 ANY REPRODUCTION, DISCLOSURE, DISTRIBUTION OR USE WITHOUT EXPRESS WRITTEN CONSENT OF NUDO PRODUCTS IS PROHIBITED.

2

1

