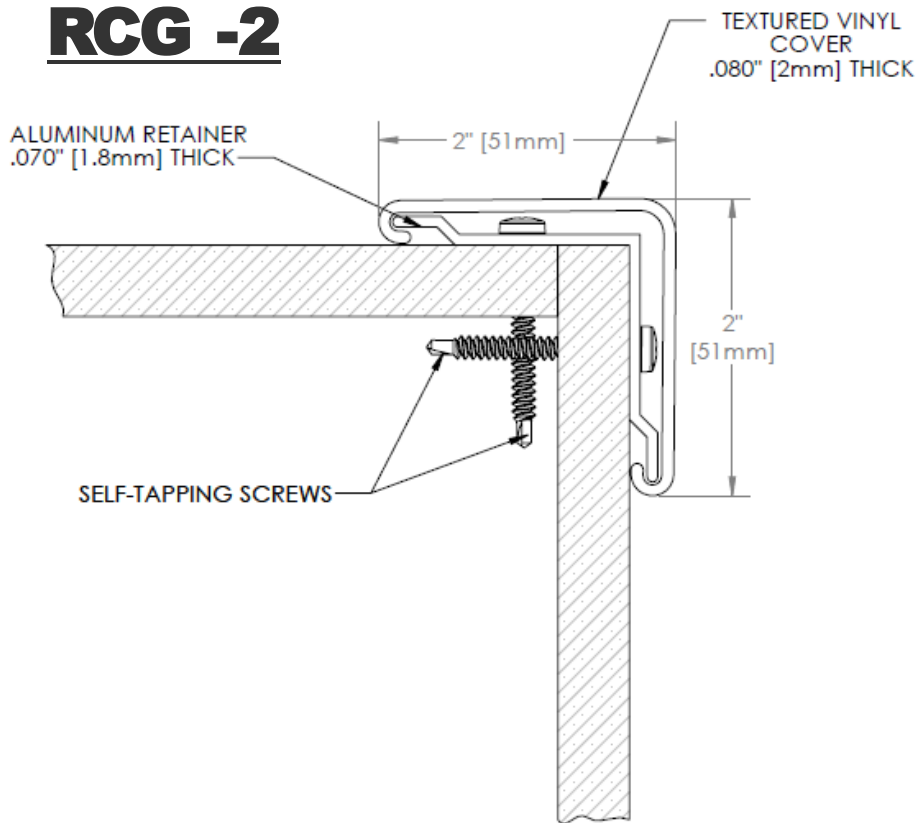


# NX4 Series, 2" Wing Surface Mount Corner Guard w/ Retainer

<b>LENGTH:</b>	Feet	Inches	<b>QUANTITY:</b>	<b>COLOR:</b>
----------------	------	--------	------------------	---------------

## **RCG -2**



- Standard Lengths are 4', 8'.
- Custom Lengths are available, all custom cuts have a plus or minus 1/8" tolerance.

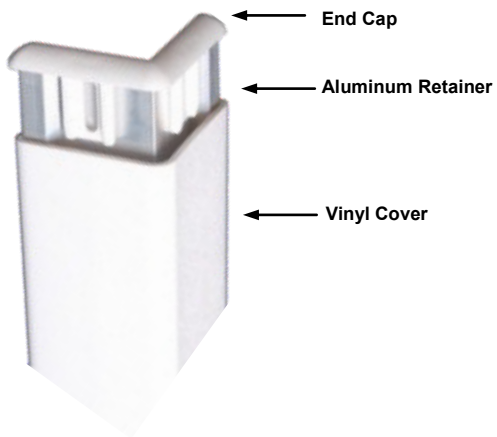
**Core Colors**

- 11921 Black
- 11924 Sawdust
- 11925 Sand
- 11926 Khaki Brown
- 11927 Gray
- 11929 White
- 11930 Taupe
- 11931 Pale Yellow
- 11932 Ivory
- 11933 Brown

*Call Factory for availability, lead time, and possible set up charges for Non-Core Colors.*

**Installation**

**Surface Mount Corner Guard Systems:**  
 Attach end caps to aluminum retainer, mount retainer to the wall, snap on vinyl cover. Field trimming may be required to obtain exact desired height.



**PROPERTIES**

- Rigid Vinyl Tensile Yield Strength 6.0, 10<sup>3</sup> psi as specified in ASTM D-638, wall thickness .080.
- Contains 50% Recycled Content.
- Chemical and Stain Resistance in accordance with ASTM D-543.
- Does not support fungal and bacterial growth in accordance with ASTM G-21 and ASTM G-22.
- Color Consistency in accordance with SAE J-1545-(DeltaE) with a color difference no greater the 1.0 units using CIE Lab, CIE CMC, CIE Lch, Hunter Lab or similar color space systems.
- Aluminum Retainers are extruded from 6063-T5 alloy, tensile strength of 29,000 psi, a yield strength of 25,000 psi, an elongation (% on 2") of 12 and a Brinell Hardness of 73.



YOUR VISION IS OUR MISSION™

1500 Taylor Avenue  
 Springfield, IL 62703  
 Ph: (800) 826-4132 Fax: (217) 528-8722  
 info@nudo.com

<b>PROJECT:</b>	
<b>CUSTOMER:</b>	
<b>LOCATION:</b>	
<b>ARCHITECT:</b>	
<b>SALES REP:</b>	
<b>REV.</b>	<b>DATE:</b>