

# BIOPROTECT

## WALL & CEILING PANELS FOR CLEANROOMS

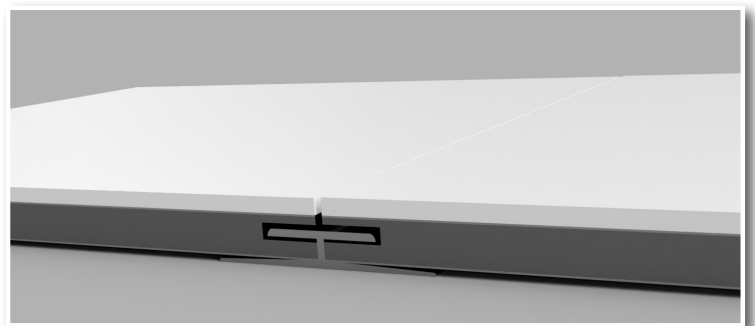


### Near Seamless Appearance

The interlocking nature of NUDO's BioProtect wall and ceiling panels offers a near seamless appearance!

### Features

- Seamless FRP wall system
- Meets USDA Requirements for Walls and Ceilings
- Meets FDA Requirements for Walls and Ceilings
- Superior hygiene
- Moisture intrusion prevention
- Durable finish
- Withstands aggressive wash-down
- Virtually maintenance free

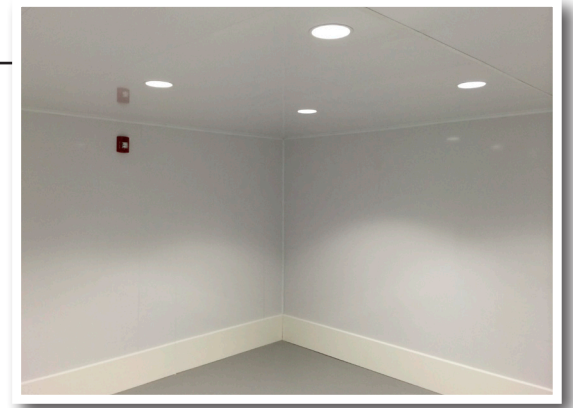


Cleanrooms are essential within a wide variety of industries and NUDO's BioProtect wall & ceiling panels, along with coordinating kerb and joint sealant, delivers the ultimate solution. Offering durability, moisture resistance and cleanability, these panels are the perfect fit for any cleanroom application.

**NUDO**<sup>®</sup>  
A VERZATEC COMPANY

## BIOPROTECT SPECIFICATIONS

FRP	.090" thick, Class A, smooth or textured
Substrate	.250" ACM Core
Width	48"
Thickness	.340"
Length	8' & 10' (contact factory for special lengths)
Joint Sealant	HygiSeal 3.1 is a high quality, neutral, elastic, 1-component, low viscosity construction joint and adhesive sealant based on MS-Polymer

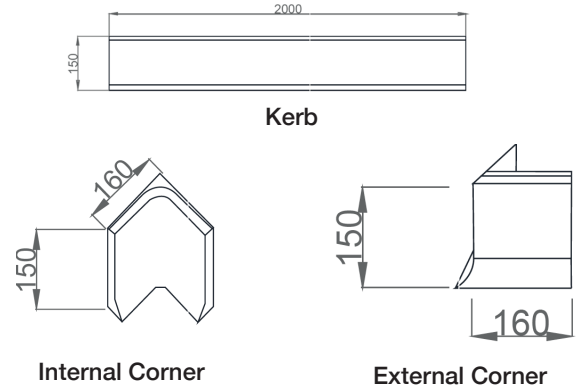


## Popular Applications

- Animal Care Facilities
- Biosafety Laboratories
- Beverage & Bottling Facilities
- Cleanrooms
- Commissaries & Commercial Kitchens
- Food Processing and Storage
- Healthcare
- Pharmaceutical Production

## SOLID CORE PVC HYGIENIC BASE COVE

	Kerb	Corner Internal/External
Length	6.56'	6.30" / 6.30"
Height	3.28'	5.90"
Thickness	0.32"	0.32"
Weight	4 kg	0.70 kg
Amount/Pallet	1.65'	300 pcs
Pallet Size	210 x 80 x 70 cmH	120 x 80 x 70 cmH
Pallet Weight	+ - 2.32	+ - 485 lb



**NUDO**<sup>®</sup>  
A VERZATEC COMPANY

1500 Taylor Avenue      Ph: 800.826.4132  
Springfield, IL 62703      Fax: 217.528.8722  
www.Nudo.com

Form 1059.L.Rev10.2023

Visit [www.Nudo.com](http://www.Nudo.com) or  
contact our local dealer for details.