

### Social Distancing in Public Spaces Made Easy

#### TOOLS NEEDED



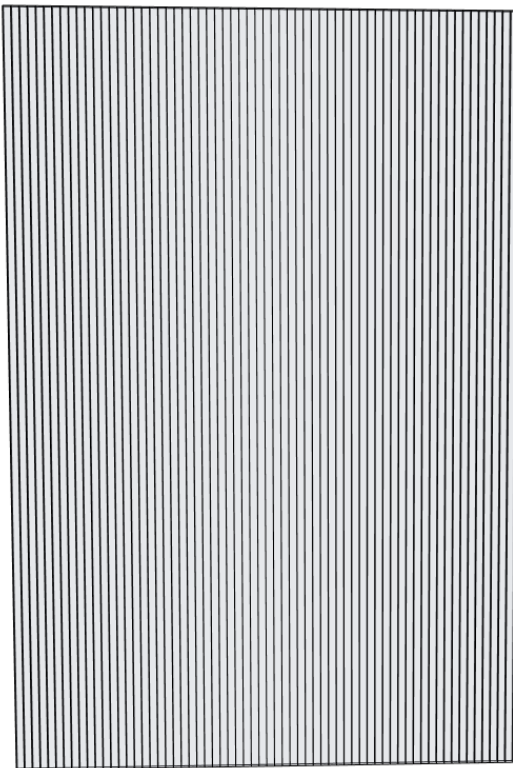
Phillips Screwdriver



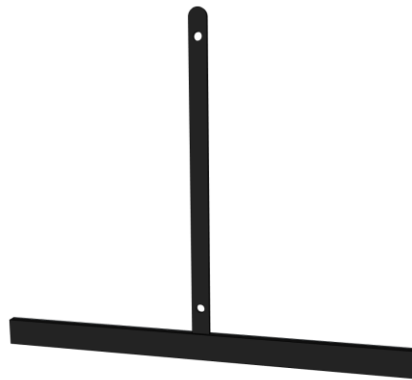
Needle Nose Pliers



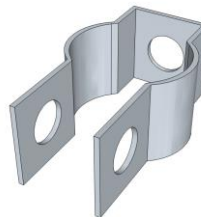
### PARTS




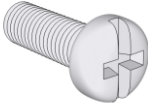

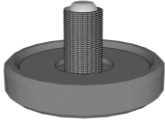
Panel (x1)

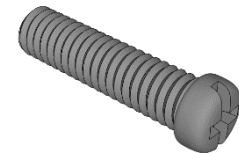


T-Leg (x2)



Clamp (x4)

HARDWARE KIT:	
	
Washer (x4)	Clamp Screw (x4)
	
Clamp Bolt (x4)	Foot (x4)



Panel Screw (x4)



### ASSEMBLY

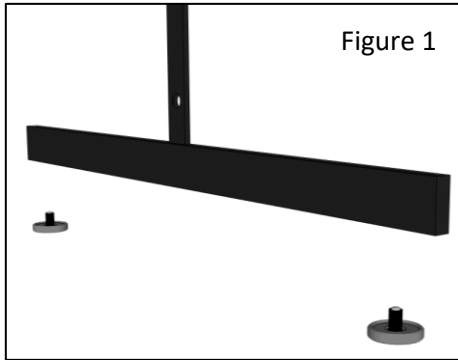


Figure 1

1. Screw in feet to the base of the T-leg.

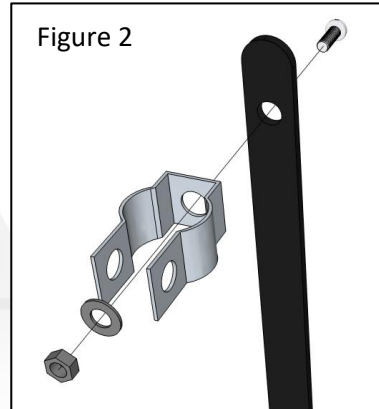


Figure 2

2. Assemble the clamp with a washer, bolt, and clamp screw using a screwdriver & pliers.

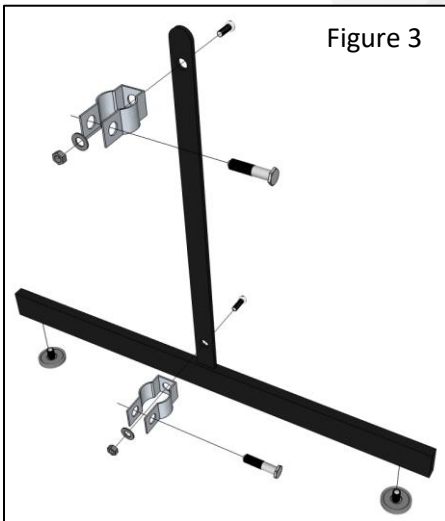


Figure 3

3. Complete these assemblies for both clamps on the left & right T-Legs.

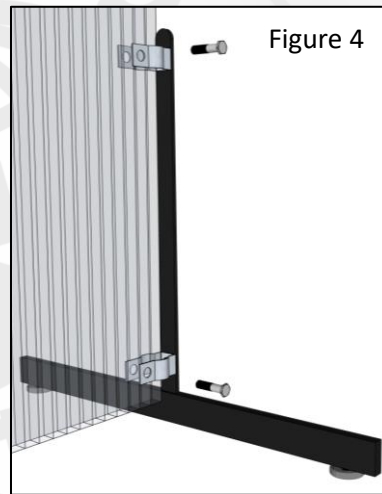


Figure 4

4. Remove the film from the panel & line up the clamp to the pilot holes. Screw in the panel screws through the panel and thread into the clamp.

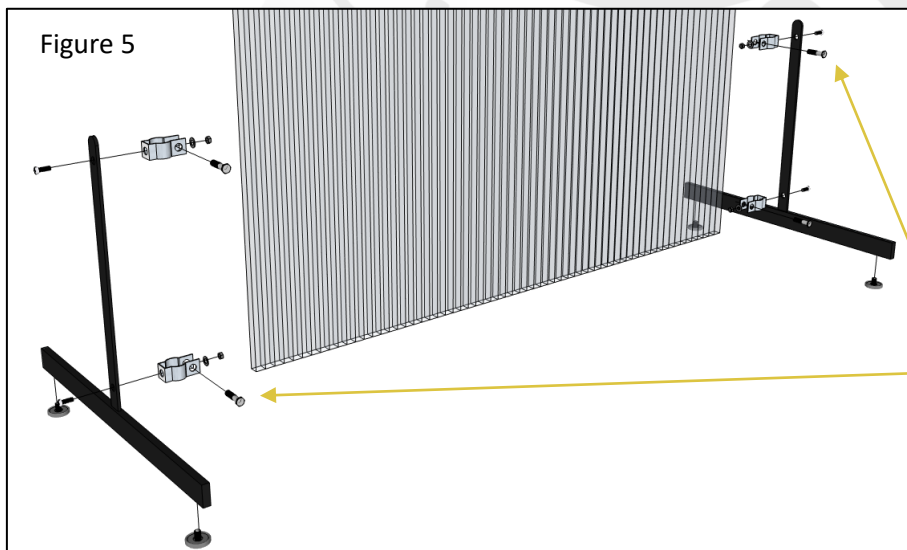


Figure 5

5. Complete this assembly for both sides. **DO NOT** over tighten the clamps onto the panel.

**NOTE:** Rotate the clamps to orient the panel screws along the same face.

